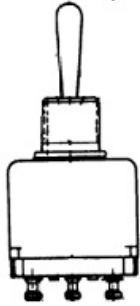




2TW1-2



Actual product appearance may vary.

TW Series Toggle Switch, 2 pole, 2 position, Solder terminal, Standard Lever, Military Part Number MS27717-22-1

Features

- Qualified to MIL-S-83731
- Save space and weight
- SPDT and DPDT circuitry
- Temperature range: -85°F to +160°F (-65°C to +71°C)
- Sealed bushing versions
- Choice of 1/8 in. or 15/32 in. bushing
- Color tab available on 15/32 in. bushing
- UL recognized

Potential Applications

- Industrial machinery and equipment
- Military and commercial aviation
- Construction equipment
- Test instruments
- Agricultural machinery
- Process control
- Medical instrumentation

Description

MICRO SWITCH™ miniature toggle switches in two bushing sizes. Molded-in terminals are plated for soldering. Momentary and maintained circuitry closures available. Special on-on-on circuitries are also available. Pull-to-unlock levers prevent accidental operation.

| Product Specifications | | | |
|--|--|--|--|
| Circuitry/Operating action | <table border="0"> <tr> <td style="text-align: center;"> Keyway Position 2 3 6 5 OFF </td> <td style="text-align: center;"> Opposite Keyway Position 2 3 6 5 ON </td> </tr> </table> | Keyway Position 2 3 6 5 OFF | Opposite Keyway Position 2 3 6 5 ON |
| Keyway Position 2 3 6 5 OFF | Opposite Keyway Position 2 3 6 5 ON | | |
| Product Type | MICRO SWITCH™ Toggle Switch | | |

| | |
|---------------------------------------|--|
| Ampere/Voltage Range (Resistive Load) | 0.1 A to 5.0 A at 0.5 Vac to 115 Vac,0.1 A to 5.0 A at 0.5 Vdc to 28 Vdc |
| Circuitry | DPST |
| Action | 2 position |
| Mounting | Bushing 1/4 in |
| Termination | Solder |
| Military Part Number | MS27717-22-1 |
| Lever Type | Standard |
| UL/CSA Rating Code | L117: 5 A at 125 Vac |
| Comment | Fine silver contacts |
| Availability | Global |
| UNSPSC Code | 30211908 |
| UNSPSC Commodity | 30211908 Toggle switches |
| Series Name | TW |

2TW1 SERIES
CHART 1

M

DRAWING
NUMBER

ISSUE
15

REVISIONS

A C057003
TSK
3 FEB 86

B C059236
J A P
27 MAR 86

C C062939
TSK
24 FEB 88

D

E

F

G

H

I

J

K

L

REPLACES X35315

RELEASE NO. SR-12474

CHECK

CHECK

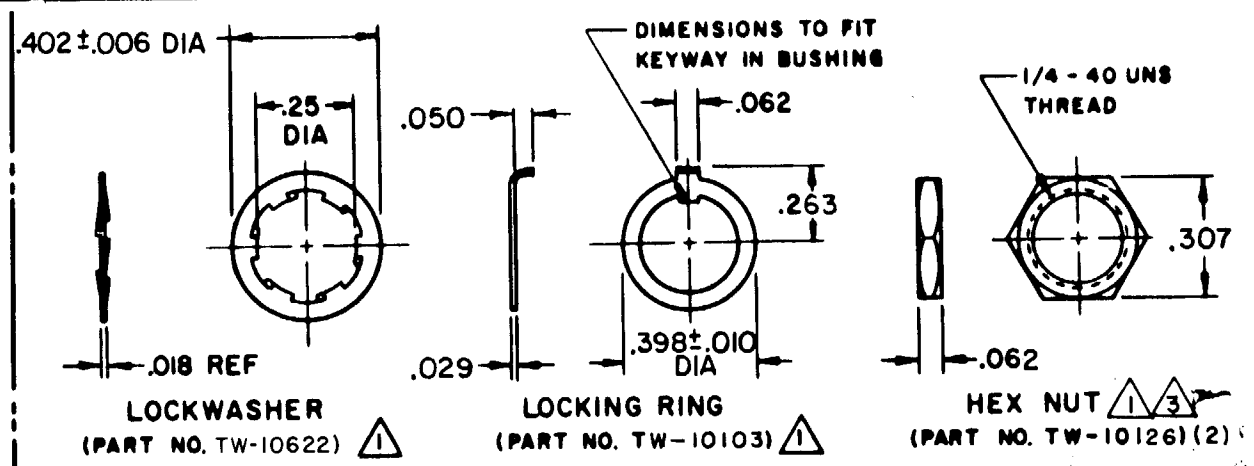
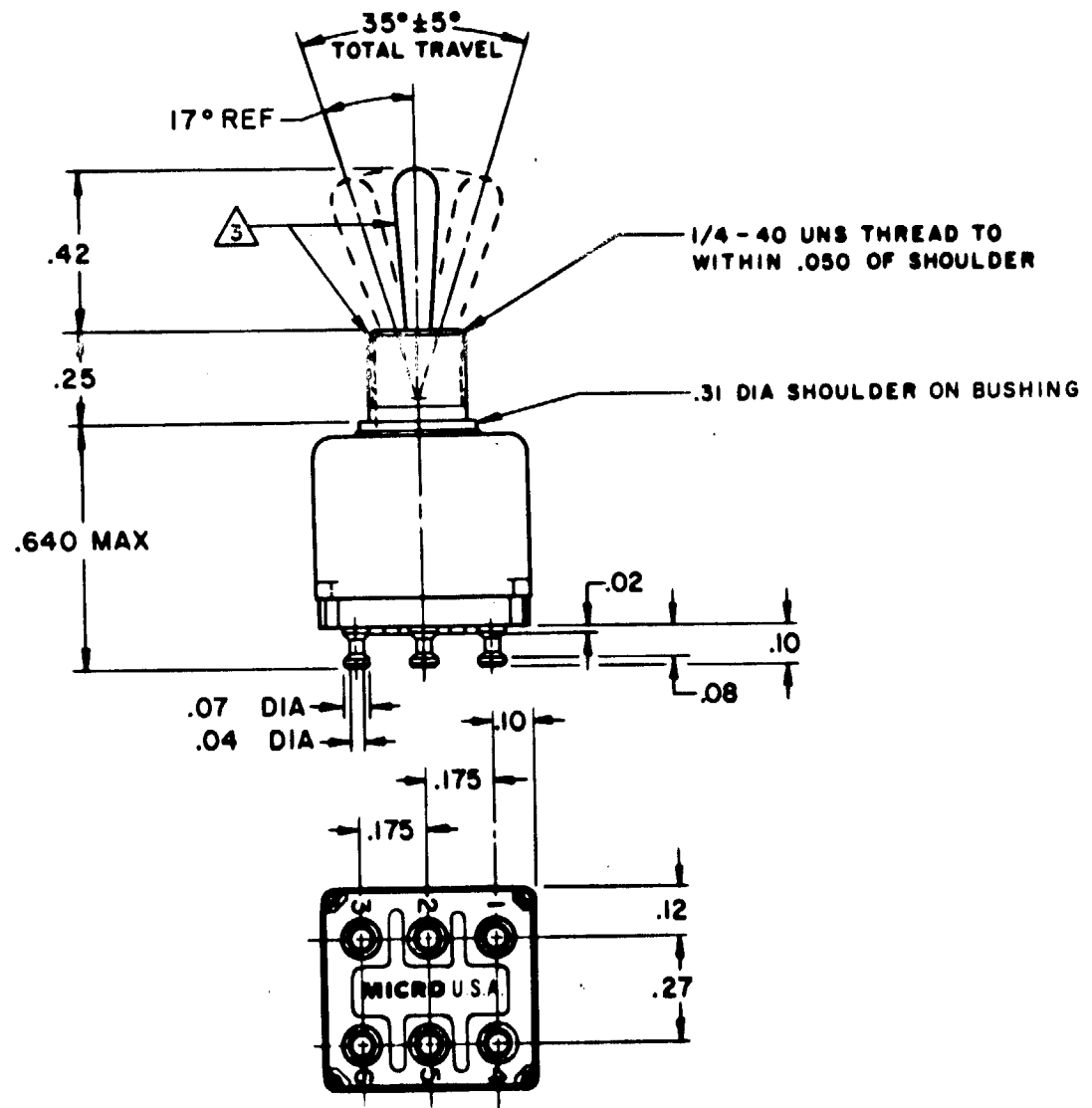
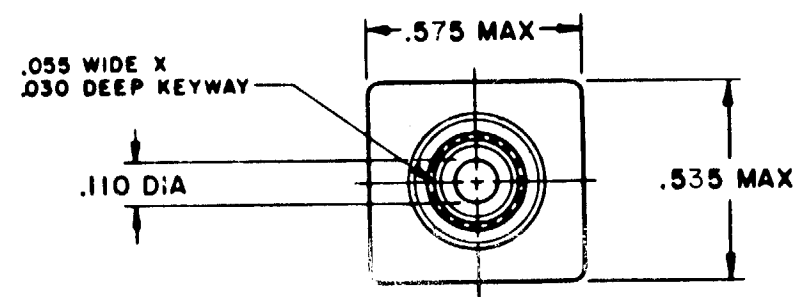
CHECK

DRAWN

MICRO SWITCH
FREEPORT, ILLINOIS U.S.A.
A DIVISION OF HONEYWELL
FED. MFG. CODE 91929

SWITCH-TOGGLE

CATALOG LISTING
2TW1 SERIES
CHART 1 ★



| CATALOG LISTING | CIRCUIT WITH TOGGLE IN | | | |
|-----------------|-------------------------------|-----|-----------------|--|
| | ONE EXTREME POSITION (KEYWAY) | | CENTER POSITION | OTHER EXTREME POSITION (OPPOSITE KEYWAY) |
| | 2-1 | 5-4 | | 2-3 5-6 MS NO. |
| 2TW1-1 | ON | | OFF | ON MS27717-21-1 |
| 2TW1-2 | OFF | | NONE | ON MS27717-22-1 |
| 2TW1-3 | ON | | NONE | ON MS27717-23-1 |
| 2TW1-5 | MOM ON | | OFF | ON MS27717-31-1 |
| 2TW1-7 | MOM ON | | OFF | MOM ON MS27717-27-1 |
| 2TW1-8 | MOM ON | | NONE | ON MS27717-26-1 |

THIS DRAWING COVERS A PROPRIETARY ITEM AND IS THE PROPERTY OF MICRO SWITCH, A DIVISION OF HONEYWELL. THIS DRAWING IS NOT TO BE COPIED OR USED WITHOUT THE APPROVAL OF MICRO SWITCH.

CHARACTERISTICS

ELECTRICAL DATA

CONTACT ARRANGEMENT
L117
5A 125 VAC
RU

SCALE 2:1
DO NOT SCALE PRINT

TOLERANCES
DIM. TO DIM. UNLESS NOTED OTHERWISE ARE:
DIM. TO DIM. UNLESS NOTED OTHERWISE ARE:
DIM. TO DIM. UNLESS NOTED OTHERWISE ARE:
DIM. TO DIM. UNLESS NOTED OTHERWISE ARE:

DESIGN UNITS METRIC US CUSTOMARY

THIRD ANGLE PROJECTION

WEIGHT .020 LB MAX

- NOTES
- ① FURNISHED UNASSEMBLED
 - ② - TERMINALS ARE PLATED FOR SOLDERING
 - ③ MATTE FINISH